



aerospace
climate control
electromechanical
filtration
fluid & gas handling
hydraulics
pneumatics
process control
sealing & shielding



IQAN-TOC2 I/O Modules

Electronic Control Systems



ENGINEERING YOUR SUCCESS.

Application

The IQAN-TOC2 is a task oriented controller in the IQAN product group. The IQAN-TOC2 replaces valve driver modules and cards for a wide variety of proportional valves or other devices. This unit is designed for ease of setup, weather resistance, and safety.

The IQAN-TOC2 is a general purpose unit that can control two bi-directional valve sections or two cartridge solenoids simultaneously. The IQAN-TOC2 communicates with a variety of input and output devices. It has current mode (current closed-loop) or PWM mode (voltage open-loop) output for proportional valve control. The analog inputs accept signals from joysticks or potentiometers. Two digital inputs can be used to read switches.

Properties

Ease of setup

The IQAN-TOC2 has a simple mechanical interface for calibration. With a preloaded personality from the factory, setup can be easily performed on the machine using a screwdriver. Adjustments possible include threshold, maximum output and slopes. The IQAN-TOC2 may also be connected to a PC or Palm device and programmed using IQANdevelop software to change the functionality of the controller. This advanced feature allows the IQAN-TOC2 to be used in more demanding applications.

Weather resistance

The housing is designed to be rugged, but light and has a sealed, automotive AMP junior-power timer connector. The IQAN-TOC2 has a membrane to prevent condensation inside the housing. This controller is designed for the outdoor environment.

Safety

The IQAN-TOC2 is made using selected components and conforms to strict international requirements.

Diagnostics: If an error is detected an LED on the top of the controller flashes a sequence to indicate the nature of the error.

General

Weight	0.2 Kg
Operating temperature	-40 to +70 °C
Protection	outdoor use
Voltage supply	9 - 34 Vdc
Current consumption (idle)	60 mA (28 Vdc) 40 mA (14 Vdc)
Data interface	mechanical encoder or RS232 using IQANdevelop
VREF output (28V)	4.9 - 5.1Vdc, 30 mA

Outputs

Current / PWM outputs	
Number	2 double
Type current mode	current - closed loop
PWM mode	voltage - open loop
Min. threshold	50 mA
Max. load	3000 mA
Frequency range	25 - 333 Hz
Resolution	1 mA

Inputs

Voltage inputs	
Number	2
Signal range	0 - 5 Vdc
Resolution	5 mV
Digital inputs	
Number	2
Signal high	4Vdc - V _{BAT}
Signal low	0 - 1Vdc

Ordering part number

IQAN-TOC2	5010028
-----------	---------

Environmental Protection

EMI

ISO 11452-2 (immunity vs EM field)
ISO 14982 (radiated emission)
ISO 11452-4 (immunity vs injected RF)
ISO 7637-2,-3 (immunity vs supply transients)

ESD

EN 61000-4-2 (external)

Mechanical environment

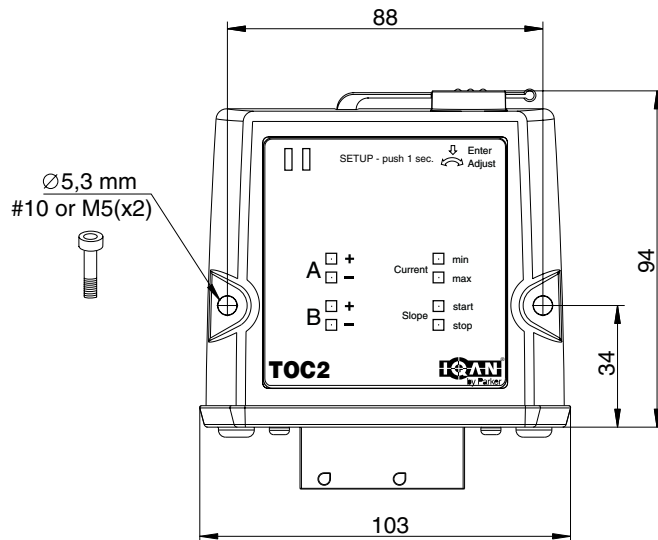
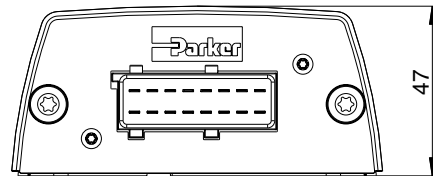
IEC 68-2-64 Fh (random)
IEC 68-2-29 Eb (bump)

Climate environment

IEC 68-2-18 Rb2 (water)
IEC 68-2-30 Db (var1, damp, cyclic)
IEC 68-2-3 Ca (damp, heat steady state)
IEC 68-2-2 Bb (heat)
IEC 68-2-1 Ab (cold)
IEC 68-2-14 Nb (change of temperature)

Chemical environment

IEC 68-2-52 Kb (salt mist, cyclic)



unit = mm

WARNING

FAILURE OR IMPROPER SELECTION OR IMPROPER USE OF THE PRODUCTS AND/OR SYSTEMS DESCRIBED HEREIN OR RELATED ITEMS CAN CAUSE DEATH, PERSONAL INJURY AND PROPERTY DAMAGE.

This document and other information from Parker Hannifin Corporation, its subsidiaries and authorized distributors provide product and/or system options for further investigation by users having technical expertise. It is important that you analyze all aspects of your application, including consequences of any failure, and review the information concerning the product or system in the current product catalogue. Due to the variety of operating conditions and applications for these products or systems, the user, through its own analysis and testing, is solely responsible for making the final selection of the products and systems and assuring that all performance, safety and warning requirements of the application are met.

The products described herein, including without limitation, product features, specifications, designs, availability and pricing, are subject to change by Parker Hannifin Corporation and its subsidiaries at any time without notice.

Offer of Sale

Please contact your Parker representation for a detailed "Offer of Sale".

Parker Worldwide

Europe, Middle East, Africa

AE – United Arab Emirates,
Dubai

Tel: +971 4 8127100
parker.me@parker.com

AT – Austria, Wiener Neustadt
Tel: +43 (0)2622 23501-0
parker.austria@parker.com

AT – Eastern Europe, Wiener
Neustadt
Tel: +43 (0)2622 23501 900
parker.easteurope@parker.com

AZ – Azerbaijan, Baku
Tel: +994 50 2233 458
parker.azerbaijan@parker.com

BE/LU – Belgium, Nivelles
Tel: +32 (0)67 280 900
parker.belgium@parker.com

BY – Belarus, Minsk
Tel: +375 17 209 9399
parker.belarus@parker.com

CH – Switzerland, Etoy
Tel: +41 (0)21 821 87 00
parker.switzerland@parker.com

CZ – Czech Republic, Klecany
Tel: +420 284 083 111
parker.czechrepublic@parker.com

DE – Germany, Kaarst
Tel: +49 (0)2131 4016 0
parker.germany@parker.com

DK – Denmark, Ballerup
Tel: +45 43 56 04 00
parker.denmark@parker.com

ES – Spain, Madrid
Tel: +34 902 330 001
parker.spain@parker.com

FI – Finland, Vantaa
Tel: +358 (0)20 753 2500
parker.finland@parker.com

FR – France, Contamine s/Arve
Tel: +33 (0)4 50 25 80 25
parker.france@parker.com

GR – Greece, Athens
Tel: +30 210 933 6450
parker.greece@parker.com

HU – Hungary, Budapest
Tel: +36 1 220 4155
parker.hungary@parker.com

IE – Ireland, Dublin
Tel: +353 (0)1 466 6370
parker.ireland@parker.com

IT – Italy, Corsico (MI)
Tel: +39 02 45 19 21
parker.italy@parker.com

KZ – Kazakhstan, Almaty
Tel: +7 7272 505 800
parker.easteurope@parker.com

NL – The Netherlands, Oldenzaal
Tel: +31 (0)541 585 000
parker.nl@parker.com

NO – Norway, Asker
Tel: +47 66 75 34 00
parker.norway@parker.com

PL – Poland, Warsaw
Tel: +48 (0)22 573 24 00
parker.poland@parker.com

PT – Portugal, Leca da Palmeira
Tel: +351 22 999 7360
parker.portugal@parker.com

RO – Romania, Bucharest
Tel: +40 21 252 1382
parker.romania@parker.com

RU – Russia, Moscow
Tel: +7 495 645-2156
parker.russia@parker.com

SE – Sweden, Spånga
Tel: +46 (0)8 59 79 50 00
parker.sweden@parker.com

SK – Slovakia, Banská Bystrica
Tel: +421 484 162 252
parker.slovakia@parker.com

SL – Slovenia, Novo Mesto
Tel: +386 7 337 6650
parker.slovenia@parker.com

TR – Turkey, Istanbul
Tel: +90 216 4997081
parker.turkey@parker.com

UA – Ukraine, Kiev
Tel: +380 44 494 2731
parker.ukraine@parker.com

UK – United Kingdom, Warwick
Tel: +44 (0)1926 317 878
parker.uk@parker.com

ZA – South Africa, Kempton Park
Tel: +27 (0)11 961 0700
parker.southafrica@parker.com

North America

CA – Canada, Milton, Ontario
Tel: +1 905 693 3000

US – USA, Cleveland
(industrial)
Tel: +1 216 896 3000

US – USA, Elk Grove Village
(mobile)
Tel: +1 847 258 6200

Asia Pacific

AU – Australia, Castle Hill
Tel: +61 (0)2-9634 7777

CN – China, Shanghai
Tel: +86 21 2899 5000

HK – Hong Kong
Tel: +852 2428 8008

IN – India, Mumbai
Tel: +91 22 6513 7081-85

JP – Japan, Fujisawa
Tel: +81 (0)4 6635 3050

KR – South Korea, Seoul
Tel: +82 2 559 0400

MY – Malaysia, Shah Alam
Tel: +60 3 7849 0800

NZ – New Zealand, Mt Wellington
Tel: +64 9 574 1744

SG – Singapore
Tel: +65 6887 6300

TH – Thailand, Bangkok
Tel: +662 717 8140

TW – Taiwan, Taipei
Tel: +886 2 2298 8987

South America

AR – Argentina, Buenos Aires
Tel: +54 3327 44 4129

BR – Brazil, Sao Jose dos
Campos
Tel: +55 12 4009 3500

CL – Chile, Santiago
Tel: +56 2 623 1216

MX – Mexico, Apodaca
Tel: +52 81 8156 6000

VE – Venezuela, Caracas
Tel: +58 212 238 5422



EMEA Product Information Centre

Free phone: 00 800 27 27 5374

(from AT, BE, CH, CZ, DE, DK, EE, ES, FI, FR, IE, IL,
IS, IT, LU, MT, NL, NO, PL, PT, RU, SE, SK, UK, ZA)

US Product Information Centre

Toll-free number: 1-800-27 27 537

www.parker.com

Your local authorized Parker distributor